

CONSTRUCTION MATERIALS

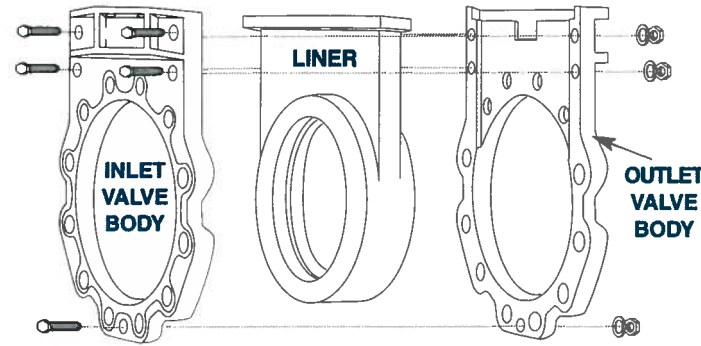
- Inlet Valve BodyDuctile Iron or Aluminum Alloy
- Outlet Valve BodyDuctile Iron or Aluminum Alloy
- LinerUrethane
- Gate SealMolded Elastomer
- GlandDuctile Iron or Aluminum Alloy
- Gate304, 316, 317, C276 & Others
- YokeAluminum Alloy
- Stem NutBronze
- HandwheelAluminum Alloy
- Stem416 Stainless Steel

PRESSURE RATING

- 2-inch to 24-inch150 psi
- 30-inch to 40-inch100 psi

OPERATORS

- Handwheel
- Hydraulic Cylinder
- Air Cylinder
- Bevel Gear
- Electric
- Chainwheel



VALVE SIZE	DIMENSIONS IN INCHES									
SIZE	A	B	C	D	E	F	G	H	J	
2	8.5	2.0	2.0	4.75	2@.656	2@1/2"-11	16.5	20.25	12.0	HANDWHEEL OPERATOR NOT AVAILABLE
3	8.5	3.0	2.0	6.0	2@.656	2@1/2"-11	16.5	20.0	12.0	
4	9.5	4.0	2.0	7.5	6@.656	2@1/2"-11	18.75	22.81	16.0	
6	11.5	6.0	2.25	9.5	6@.781	2@1/2"-10	22.75	30.12	16.0	
8	12.5	8.0	2.75	11.75	6@.781	2@1/2"-10	29.0	37.0	24.0	
10	16.0	10.0	2.75	14.25	8@.906	4@1/2"-9	33.0	43.25	24.0	
12	18.25	12.0	3.0	17.0	8@.906	4@1/2"-9				
14	20.5	13.25	3.0	18.75	8@1.031	4@1"-8				
16	23.5	14.75	*	21.25	12@1.03	4@1"-8				
18	25.0	17.25	*	22.75	10@1.17	6@1 1/4"-7				
20	27.25	19.0	*	25.0	14@1.17	6@1 1/4"-7				
24	32.0	23.0	*	29.5	12@1.29	8@1 1/4"-7				
28	36.5	25.75	*	34.0	16@1.37	12@1 1/4"-7				
30	38.75	29.75	*	36.0	16@1.29	12@1 1/4"-7				
36	46.0	34.5	*	42.75	20@1.62	12@1 1/2"-6				
40	50.75	37.75	*	47.25	22@1.62	14@1 1/2"-6				

* CONSULT FACTORY

NewGon[®] Co

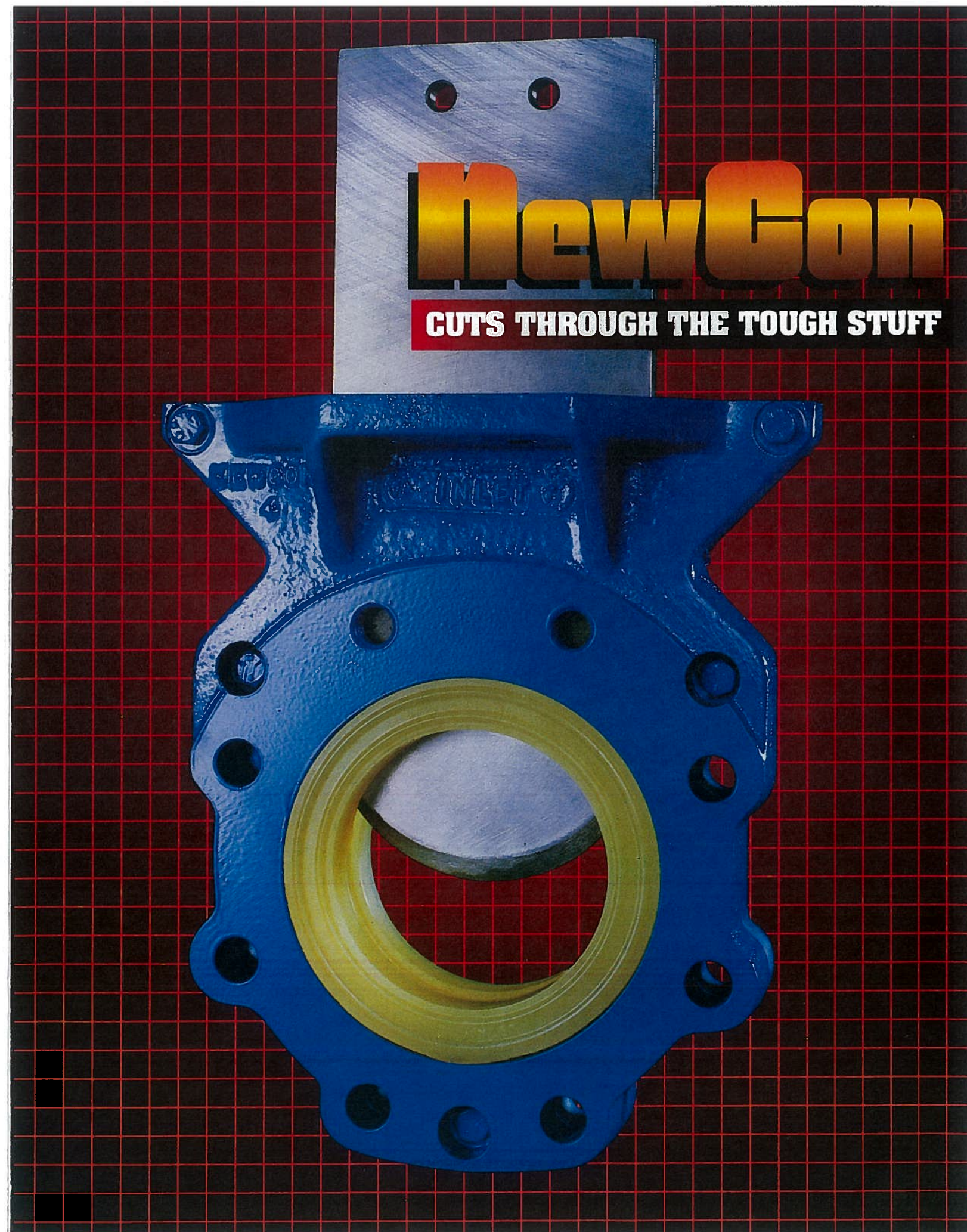
CUTS THROUGH THE TOUGH STUFF

605 West 37th Street • Hibbing, Minnesota 55746-2829

Phone: 218-262-3841 • FAX 218-262-2905

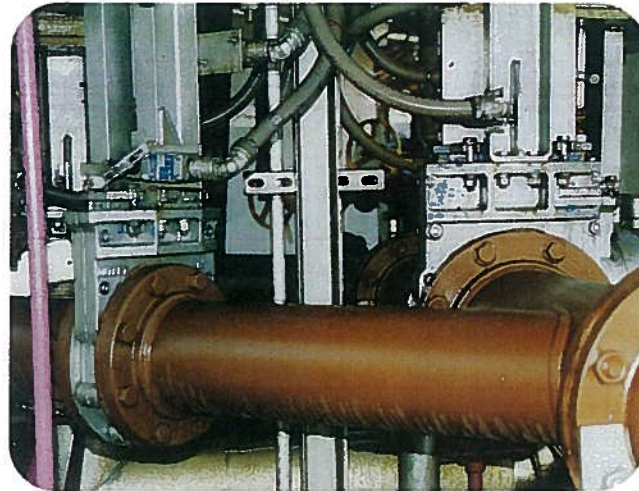
Sales E-mail: marc@newconvalve.com or newcon@newconvalve.com • Website: www.newconvalve.com

Third Printing 08/06



THE CUTTING EDGE IN SLURRY VALVES

BOTTOM ASH, FLY ASH, LIME, LIMESTONE, CEMENT, COPPER, PHOSPHATE, TACONITE, GOLD, MINE TAILINGS, SLUDGE DISPOSAL, AND OTHER APPLICATIONS



VALVES FOR MINING

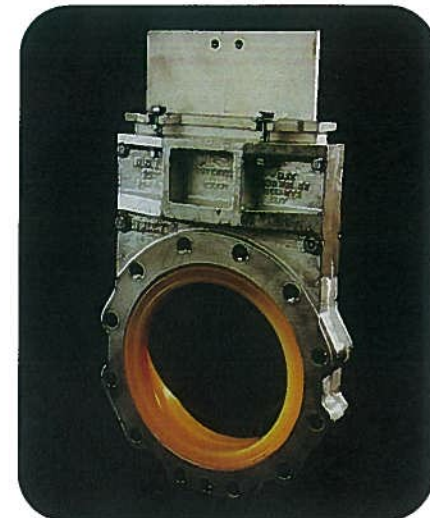


NewGon Go

CUTS THROUGH THE TOUGH STUFF



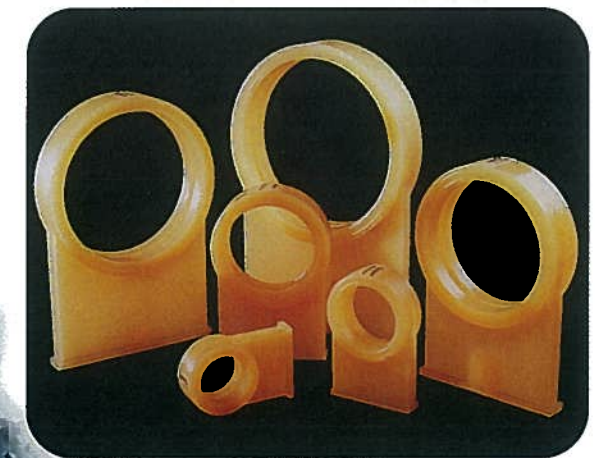
DUCTILE IRON BODY



ALUMINUM ALLOY BODY



VALVES FOR FGD SCRUBBERS



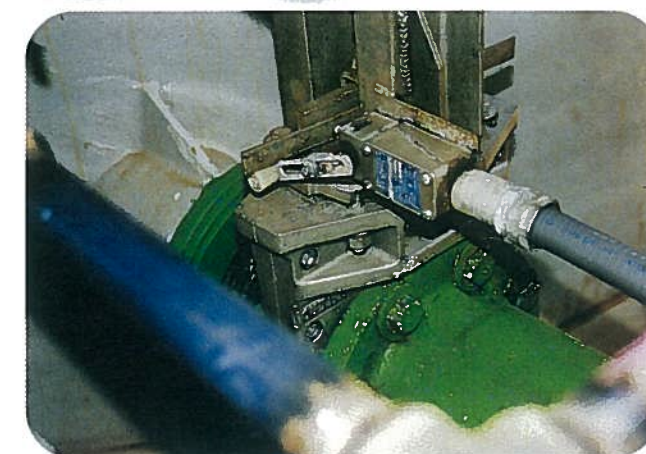
ONE-PIECE URETHANE LINERS



VALVES FOR ASH TRANSPORT LINES

DESIGNED FOR ISOLATING ABRASIVE SLURRIES

- No discharge spray during valve operation
- Clean, dry workplace.
- Low-cost replaceable liner
- Long wear life
- No-leak elastomer gate seal



ONE-PIECE ELASTOMER GATE SEAL